

# SOBY HLSG HIGH VOLUME FANS



The key to successful drying and storage of grain is choosing the right fan. Soby high volume fans are among the most efficient on the market when it comes to drying, ventilating and cooling of grain and other seed crops.

Soby backward curved centrifugal fans are available in sizes from 3kW to 37kW.

- ◆ Galvanised finish.
- ◆ Sturdy construction.
- ◆ Low power consumption.
- ◆ Low noise level.
- ◆ High air volume.



Above: Two HSLG fans in piggy-back formation.



## WHY BDC SYSTEMS?

### SALES & DESIGN

We offer a full range of post-harvest equipment from world-leading manufacturers. Our sales team covers the entire UK and Ireland, and are highly experienced in designing and specifying systems for new-build and plant extensions on an agricultural and industrial scale.

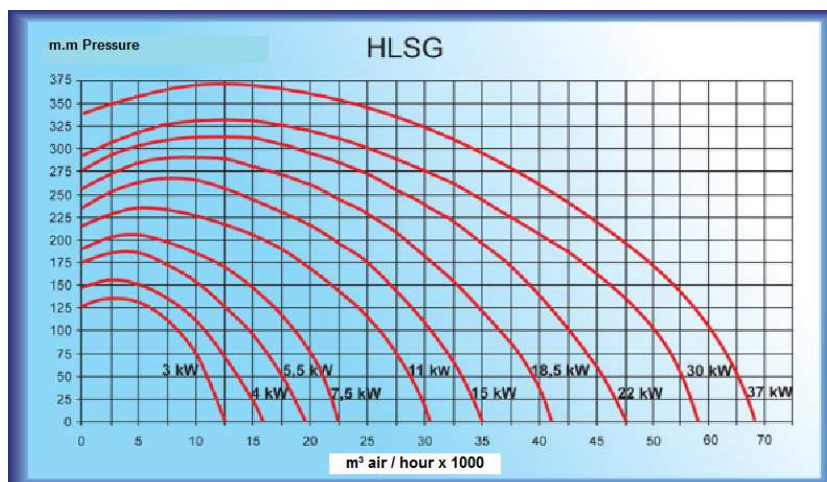
### TECHNICAL SUPPORT

As well as after-sales support, our technical support department has an enviable knowledge of all aspects of grain drying, storage, cleaning and conveying.

### SPARES

We keep in stock a wide range of commonly required spare parts and ducting for much of the equipment we supply. This can be dispatched quickly by carrier or on our own transport for local customers. Items not carried as standard stock can be sourced quickly from the original manufacturers.

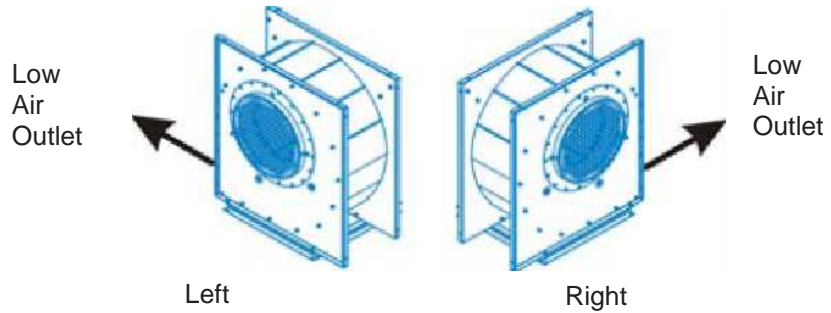
## Fan Performance



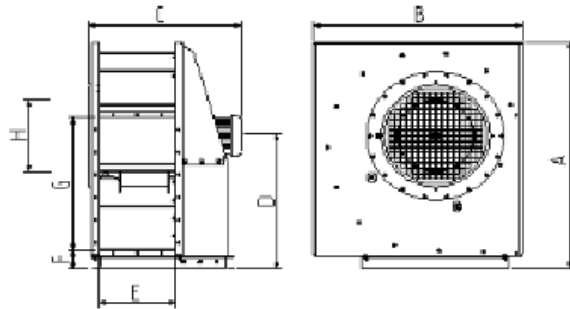
# TECHNICAL

## Outlets

Soby HLSG drying fans are supplied as standard with low air outlet (as shown) on the right or left side.



Soby HLSG drying fans can also be supplied with the outlet in the 'high' position, or with the outlet facing up or down.



TYPE	kW	HP	A	B	C	D	E	F	G	H
HLGS	3.0	4.0	1255	1084	750	735	400	105	735	400
HLGS	4.0	5.5	1260	1084	790	735	400	105	735	400
HLGS	5.5	7.5	1445	1170	855	880	400	115	825	450
HLGS	7.5	10.0	1445	1170	915	880	460	115	825	450
HLGS	11.0	15.0	1550	1340	1040	940	500	115	915	500
HLGS	15.0	20.0	1550	1340	1080	940	540	115	915	500
HLGS	18.5	25.0	1790	1420	1260	1085	540	135	1065	580
HLGS	22.0	30.0	1790	1420	1260	1085	620	135	1065	580
HLGS	30.0	40.0	2000	1625	1340	1200	570	135	1065	650
HLGS	37.0	50.0	2000	1625	1410	1200	640	135	1065	650

Soby fans are designed and built in Europe.  
A range of mobile TLR fans is also available.

**BDC Systems Limited**



Grafton Road, Burbage, MARLBOROUGH,  
Wiltshire SN8 3BA.

Tel: 01672 810851 Fax: 01672 811141

Email: [info@bdcsystems.com](mailto:info@bdcsystems.com)

Web: [www.bdcsystems.com](http://www.bdcsystems.com)

### DRYING:

- ◆ Svegma Continuous Flow or Batch Grain Dryers
- ◆ Drying Silos

### HANDLING:

- ◆ Skandia Elevators & Conveyors
- ◆ Silo Discharge Systems

### STORAGE:

- ◆ Hopper Bottom Square Silos
- ◆ Lorry Loading Silos
- ◆ Round Silos
- ◆ Square Silos

### VENTILATION

- ◆ Low Cost Galvanised Steel Air Stacks
- ◆ Fans
- ◆ Corraduct Laterals
- ◆ Multibar Laterals
- ◆ Drive-Over Laterals
- ◆ Kool-It Airspears
- ◆ Grain Butler Self Propelled Stirring Auger

### CLEANING

- ◆ Skandia Dust & Chaff
- ◆ Aagaard Pre-Cleaners
- ◆ Zanin Cleaners
- ◆ Denis Cleaners
- ◆ President Cleaners

**The Ultimate  
in Grain Care**